

GL 20 LED LED PROJECTOR



SPECIFICATIONS

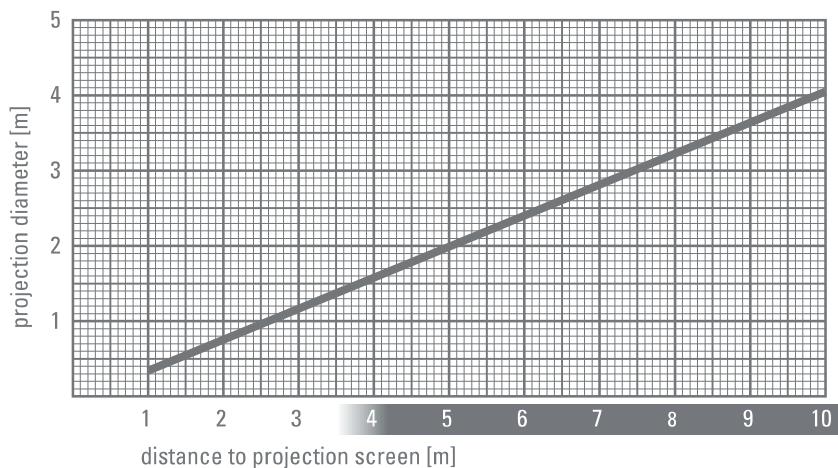
item:	GL 20 LED
housing:	Aluminium
available colours:	silver-grey, white
weight:	3.25 kg
on / off switch:	on the rear panel of the device
environmental conditions:	for dry indoor environments only
cooling:	active cooling, fan
light source:	20 W High Power LED
recommended projection distance in normal room light:	3 m
recommended projection distance in darkness:	8 m
average lifetime of the LED:	65,000 Stunden
colour temperature:	6,500 - 8,000 °Kelvin
luminous flux of the LED:	1,700 Lumen
gobo size / image size:	50 mm ø / 35 mm ø
input voltage:	100-264 V AC / 47-63 Hz
active power (power consumption):	27 W
apparent power:	54 VA
efficiency:	0.50 cos. φ
IEC Protection Class:	Schutzklasse I
Ingress Protection Rating:	IP2X
changeable lens:	yes, several focal lengths are available
lighting effects:	yes, several effect options are available
connectors for effect options:	1 x 15 V DC, on the front panel
item number:	20003930 (silver-grey) 20003910 (white)

COMPONENTS

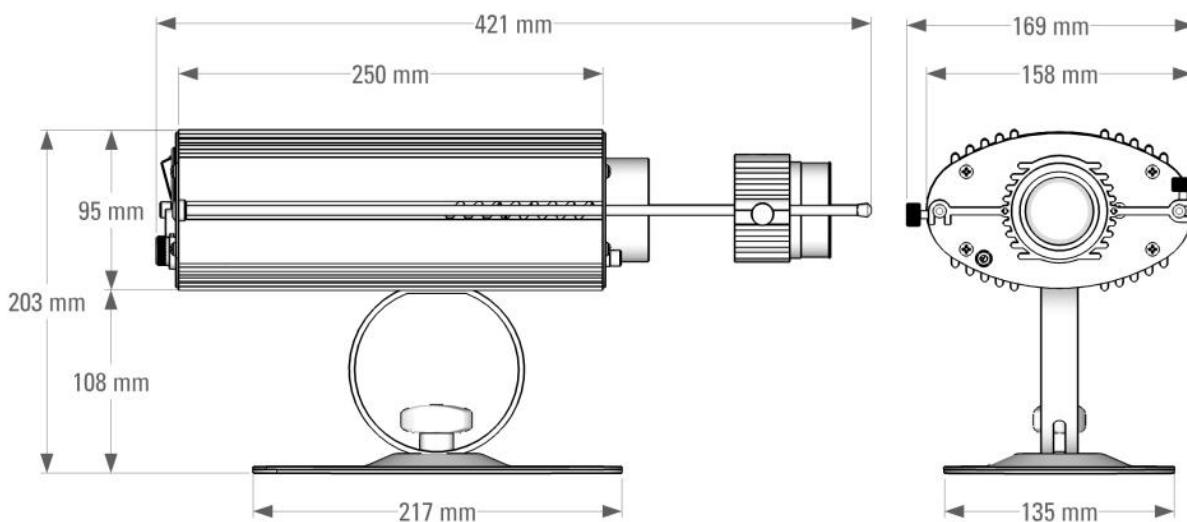
Standard series with High Power LED, 85 mm standard lens, power cable with plug. The machine is ready to plug in and run.
Required accessories: glass gobo with individually designed motif.

PROJECTION DIAMETER WITH INCREASING DISTANCE

(with Standard Lens, $f=85\text{mm}$)



DIMENSIONS



derksen[®]
benelux lichttechniek

Derksen Benelux Lichttechniek
Vlinderhof 3
5345 JX Oss
Nederland

tel: +31 (0) 412 69 08 70
fax: +31 (0) 412 69 08 69

info@derksenbenelux.nl
www.derksenbenelux.nl