

# GL 80 LED LED PROJECTOR



## SPECIFICATIONS

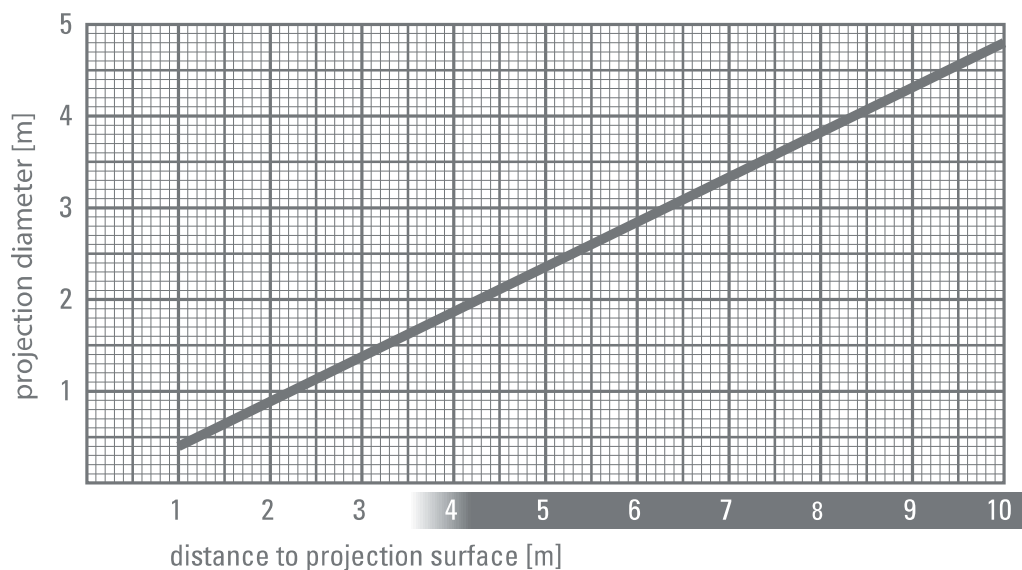
item:.....GL 80 LED  
body: ..... aluminium  
available colours: ..... silver-grey, white  
weight: .....4.35 kg  
on / off switch:.....on the rear panel of the device  
environmental conditions:..... for dry indoor environments only  
cooling:..... active cooling, fan  
light source: ..... 80 W Extreme Power LED  
recommended projection distance in normal room light: ..... 8 m  
recommended projection distance in darkness: ..... 20 m  
average lifetime of the LED: .....30,000 hours  
colour temperature: .....6,500 - 8,000 °Kelvin  
luminous flux of the LED: ..... 5,000 Lumen  
gobo size / image size: .....50 mm ø / 42 mm ø  
input voltage: ..... 100-240 V AC / 50-60 Hz  
active power (power consumption):..... 100 W  
apparent power:..... 182 VA  
efficiency:.....0.55 cos. φ  
IEC Protection Class:.....Class I  
Ingress Protection Rating:..... IP 2X  
changeable lens:..... yes, several focal lengths are available  
lighting effects:.....yes, several effect options are available  
connectors for effect options:..... 2 x 15 V DC, on the front panel  
item number:..... 20004430 (silver-grey) | 20004410 (white)

## COMPONENTS

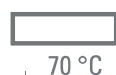
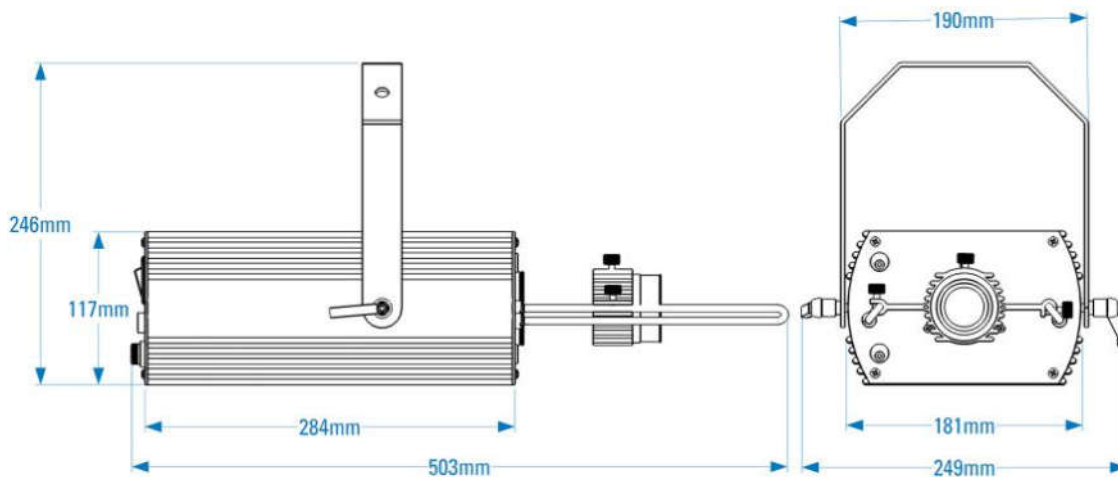
Standard series with extreme power LED, 85 mm standard lens, power cable with plug. The machine is ready to plug in and run. Required accessories: glass gobo with individually designed motif.

## PROJECTION DIAMETER WITH INCREASING DISTANCE

(with Standard Lens,  $f=85\text{ mm}$ )



## DIMENSIONS



**derksen**<sup>®</sup>  
benelux lichttechniek

Derksen Benelux Lichttechniek  
Vlinderhof 3  
5345 JX Oss  
Nederland

tel: +31 (0) 412 69 08 70  
fax: +31 (0) 412 69 08 69