

PHOS 20

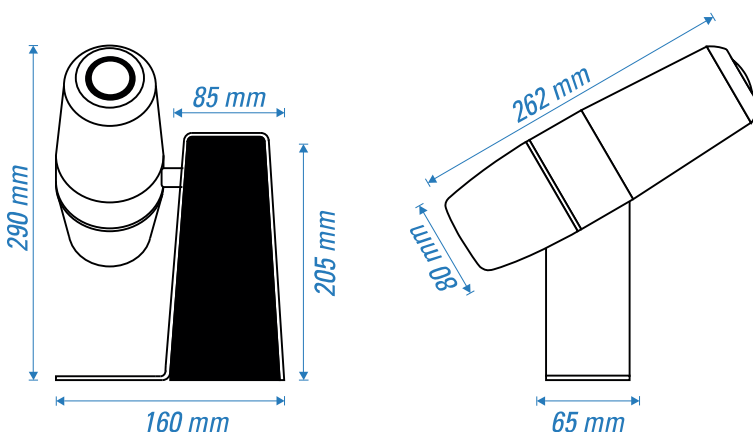
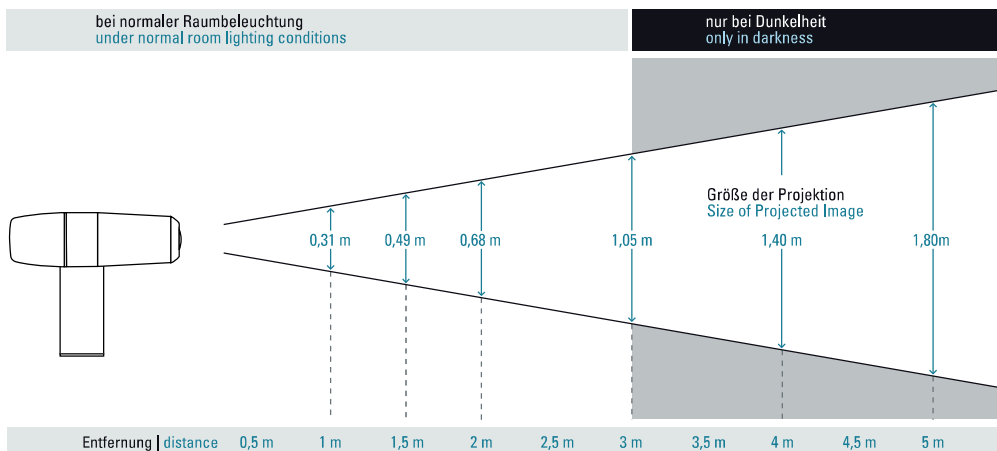
SPECIFICATIONS

housing:	aluminium
colour:	silver, silk-matt
weight:	2.8 kg
input voltage:	90 - 264 V / 47 - 63 Hz
power consumption:	60 VA
lighting element:	20 W High-Power LED
projection range under normal roomlight conditions:	3 m
projection range in darkness:	8 m
average lifetime of the lighting element:	30,000 operating hours
colour temperature in °Kelvin:	6,500
light output in Lumen:	1,000
gobo size / image size:	50 mm ø / 32 mm ø

WHAT'S INCLUDED:

High-Power LED lighting element, standard lens 85 mm, mounting plate for setting up the projector or for mounting on walls or ceilings, line cord with plug. The appliance is ready to run immediately.

Size of the projected image with increasing distance



derksen®
benelux lichttechniek

Derksen Benelux Lichttechniek
Vlinderhof 3
5345 JX Oss
Nederland

tel: +31 (0) 412 69 08 70
fax: +31 (0) 412 69 08 69

We reserve alteration about technology and product performance. Our General Terms and Conditions apply.

info@derksenbenelux.nl
www.derksenbenelux.nl