

PHOS 65 OUTDOOR – SPECIFICATIONS



| | |
|--|---|
| item:..... | PHOS 65 outdoor |
| body:..... | steel / aluminium |
| weight: | 3.4 kg |
| environmental conditions: | outdoors, humid indoor environments |
| ambient temperature:..... | -30° C – + 35° C |
| cooling: | active cooling, fan |
| noise level: | 33 dBA |
| light source: | 60 W High Power LED |
| recommended projection distance in normal room light: | 20 ft |
| recommended projection distance in darkness: | 50 ft |
| average lifetime of the LED (L70):..... | 25,000 hours |
| colour temperature:..... | 6,300 - 6,700 K |
| luminous flux of the LED:..... | 3,800 lumens |
| gobo size / image size: | Ø 50 mm / Ø 40 mm |
| input voltage: | 100 - 240 V AC, 50 / 60 Hz |
| power consumption:..... | 62 W |
| efficiency:..... | 0.8 cos. φ |
| electrical protection:..... | I |
| ingress protection rating: | IP 64 |
| photobiological safety according to ICE62471:2006 EN62471:2008:..... | RG-2 |
| item number:..... | 20065410 – white, 20065420 – black, 20065430 – silver |

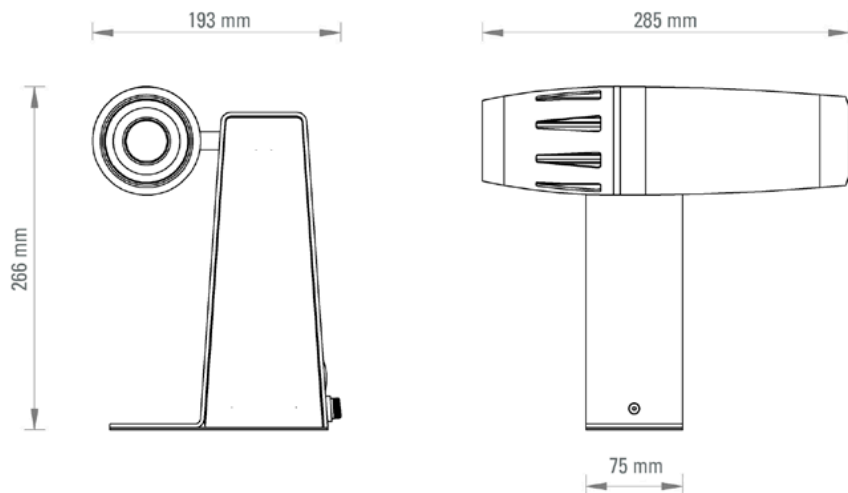
PHOS 65 outdoor is the most powerful outdoor system and its 60 watts, air-cooled High-Power LED provides uncompromised brightness, which guarantees a brilliant and crisp projection in almost any situation. PHOS 65 outdoor is the optimal solution, when projecting on coloured or dark surfaces or when colourful artworks are to be displayed. The projector is suitable for damp interiors or year-round outdoor use. The maximum projection distance is 20 feet in normal room lighting and 50 feet at dusk and night. Recommended application are: projections on facades or architectural elements, messages on pavements. Also vegetation and parks can be used as projection screen. The projection motif (gobo) can be changed without tools.

Components

Standard series with high power LED and 85 mm standard lens. Required accessories: glass gobo with individually designed motif.

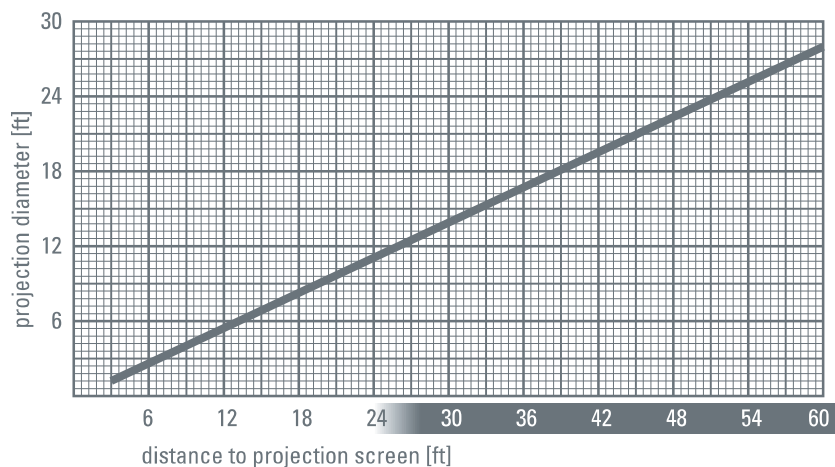


Dimensions



Projection Size

Standard Lens, $f = 85 \text{ mm}$



derksen[®]
benelux lichttechniek

Derksen Benelux Lichttechniek
Vlinderhof 3
5345 JX Oss
Nederland

tel: +31 (0) 412 69 08 70
fax: +31 (0) 412 69 08 69

info@derksenbenelux.nl
www.derksenbenelux.nl