

PHOS 85 OUTDOOR – SPECIFICATIONS



item:.....	PHOS 85 outdoor
body:.....	steel / aluminium
weight:	3.55 kg
environmental conditions:	outdoors, humid indoor environments
ambient temperature:.....	-30° C – + 35° C
cooling:	active cooling, fan
noise level:	33 dBA
light source:	80 W High Power LED
recommended projection distance in normal room light:	26 ft
recommended projection distance in darkness:	65 ft
average lifetime of the LED (L70):.....	25,000 hours
colour temperature:.....	6,300 - 6,700 K
luminous flux of the LED:.....	5,750 lumens
gobo size / image size:	Ø 50 mm / Ø 40 mm
input voltage:	100 - 240 V AC, 50 / 60 Hz
power consumption:.....	92 W
efficiency:.....	0.58 cos. φ
electrical protection:.....	I
ingress protection rating:	IP 64
photobiological safety according to ICE62471:2006 EN62471:2008:.....	RG-2
item number:.....	20085410 – white, 20085420 – black, 20085430 – silver

PHOS 85 outdoor is the most powerful outdoor system and its 80 watts, air-cooled High-Power LED provides uncompromised brightness, which guarantees a brilliant and crisp projection in almost any situation. PHOS 85 outdoor is the optimal solution, when projecting on coloured or dark surfaces or when colourful artworks are to be displayed. The projector is suitable for damp interiors or year-round outdoor use. The maximum projection distance is 26 feet in normal room lighting and 65 feet at dusk and night. Recommended application are: projections on facades or architectural elements, messages on pavements. Also vegetation and parks can be used as projection screen. The projection motif (gobo) can be changed without tools.

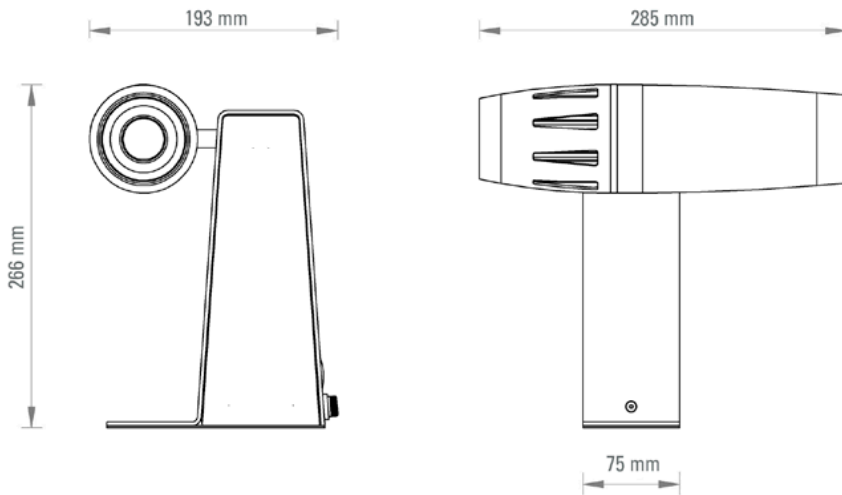
Components

Standard series with high power LED and 85 mm standard lens. Required accessories: glass gobo with individually designed motif.



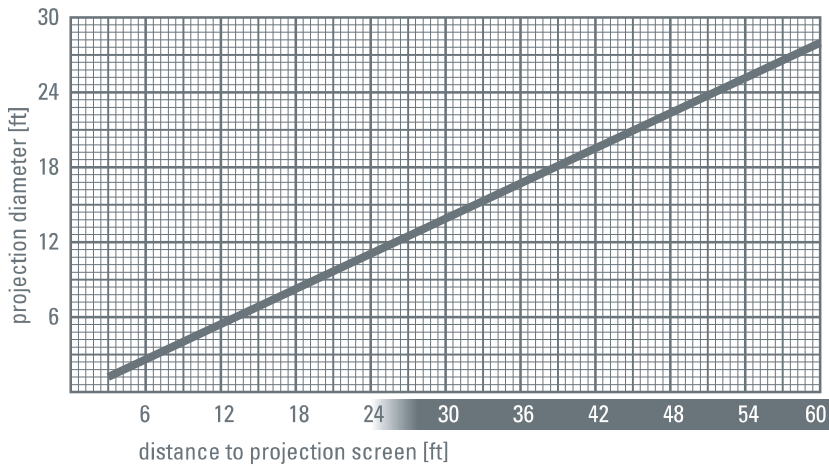
We reserve the right to make technical and optical modifications. Our general terms and conditions apply.

Dimensions



Projection Size

Standard Lens, $f = 85 \text{ mm}$



derksen[®]
benelux lichttechniek

Derksen Benelux Lichttechniek
Vlinderhof 3
5345 JX Oss
Nederland

tel: +31 (0) 412 69 08 70
fax: +31 (0) 412 69 08 69

info@derksenbenelux.nl
www.derksenbenelux.nl